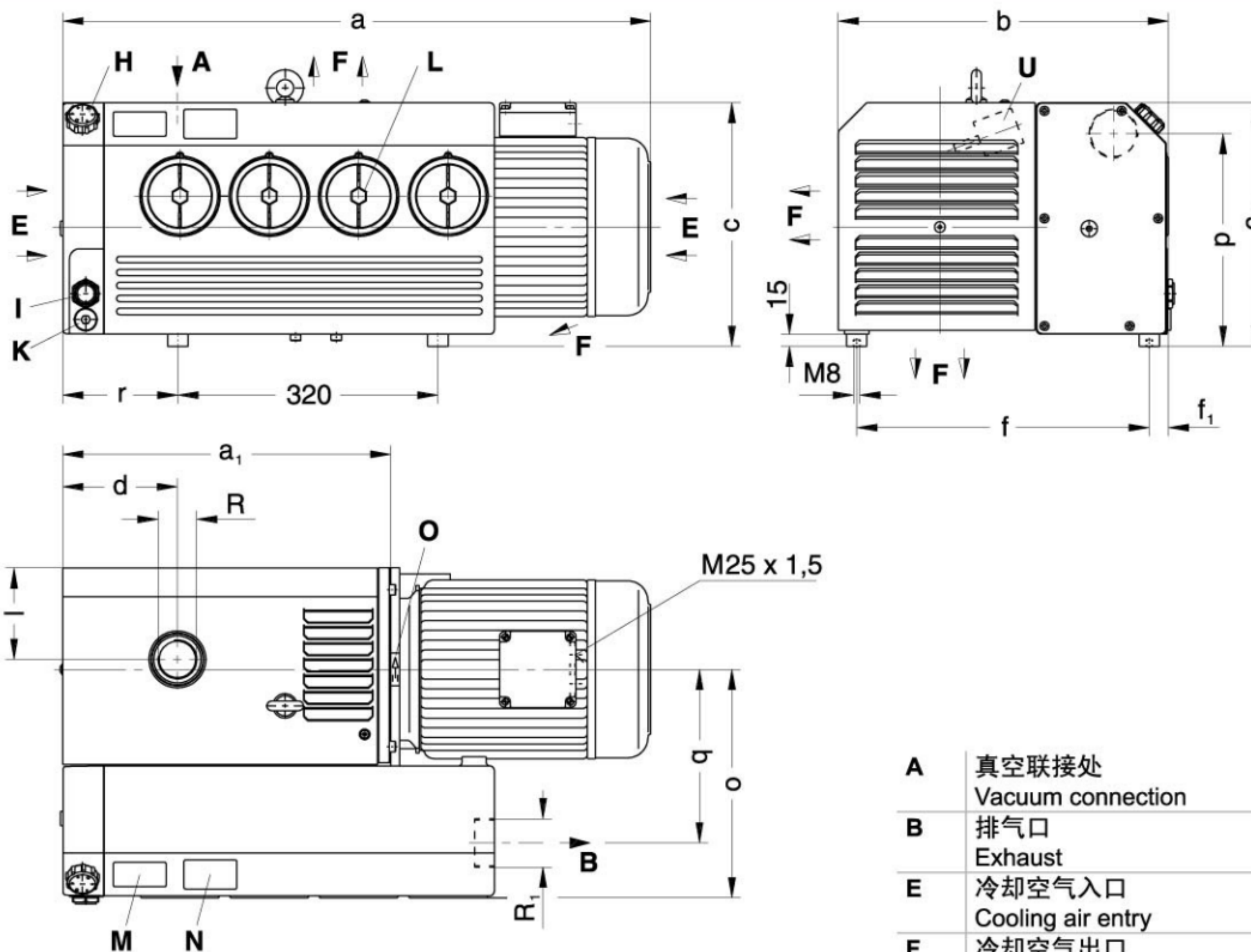


附件 • Accessories

VC		50	75	100	150
真空密封灰尘分离器 Dust separator, vacuum tight	ZFP	145 (06)	145 (06)	216 (06)	216 (06)
真空密封进气口过滤器 Vacuum tight suction filter	ZVF	32 (53)	32 (53)	32 (54)	40 (53)
电机启动器 Motor starter	ZMS	50 Hz 60 Hz	100 / 63 100 / 63	100 / 63 100 / 63	160 / 100 160 / 100

尺寸 • Dimensions [mm]


A	真空联接处 Vacuum connection
B	排气口 Exhaust
E	冷却空气入口 Cooling air entry
F	冷却空气出口 Cooling air exit
H	注油口 Oil filling point
I	油位镜 Oil check
K	排油口 Oil drain point
L	油雾分离器 成分VC 50 / 75 -> 3 Oil separator element VC 50 / 75 -> 3 elements
M	油标牌 Oil type plate
N	数据牌 Data plate
O	旋转方向 Direction of rotation
U	气镇阀 Gas ballast valve

VC		50	75	100	150
a	50 Hz	585,5	639,5	707	707
	60 Hz	585,5	639,5	707	724
a₁		316,5	316,5	404	404
b		336	336	406	406
c	50 Hz	-	-	300	300
	60 Hz	-	-	300	315
c₁		267	267	297	297
d		113,5	113,5	141	141
f		287,5	287,5	360	360
f₁		23,5	23,5	24	24
I		90,5	90,5	112	112
o		236	236	281	281
p		242	242	259	259
q		166,5	166,5	214	214
r		104,5	104,5	142	142
R		G 1¼	G 1¼	G 1½	G 1½
R₁		Rp 1¼	Rp 1¼	Rp 2	Rp 2

*与进气口联接的吸气状态有关。工作曲线和数据表是按PNEUROP标准计算的，其所示为真空泵在正常温度下运行。我们保留调整技术数据权利。尺寸a和电流值会因不同电机而与数据表不同。水气容纳，见数据I 200。

* refers to suction conditions at inlet connection. Curves and tables calculated according to PNEUROP standards and refer to vacuum pump at normal operating temperature. The dimensions a and /or drawn the current can differ. Water vapour tolerance, see information I 200.



油润滑旋片式真空泵。流量从50至180 m³/hr，极限真空0.1 mbar(绝对值)。法兰式电机，转子两侧装有轴承，装有油/气热交换器。内置筛网过滤器，真空逆止阀，气镇阀，保护罩和油分离器。

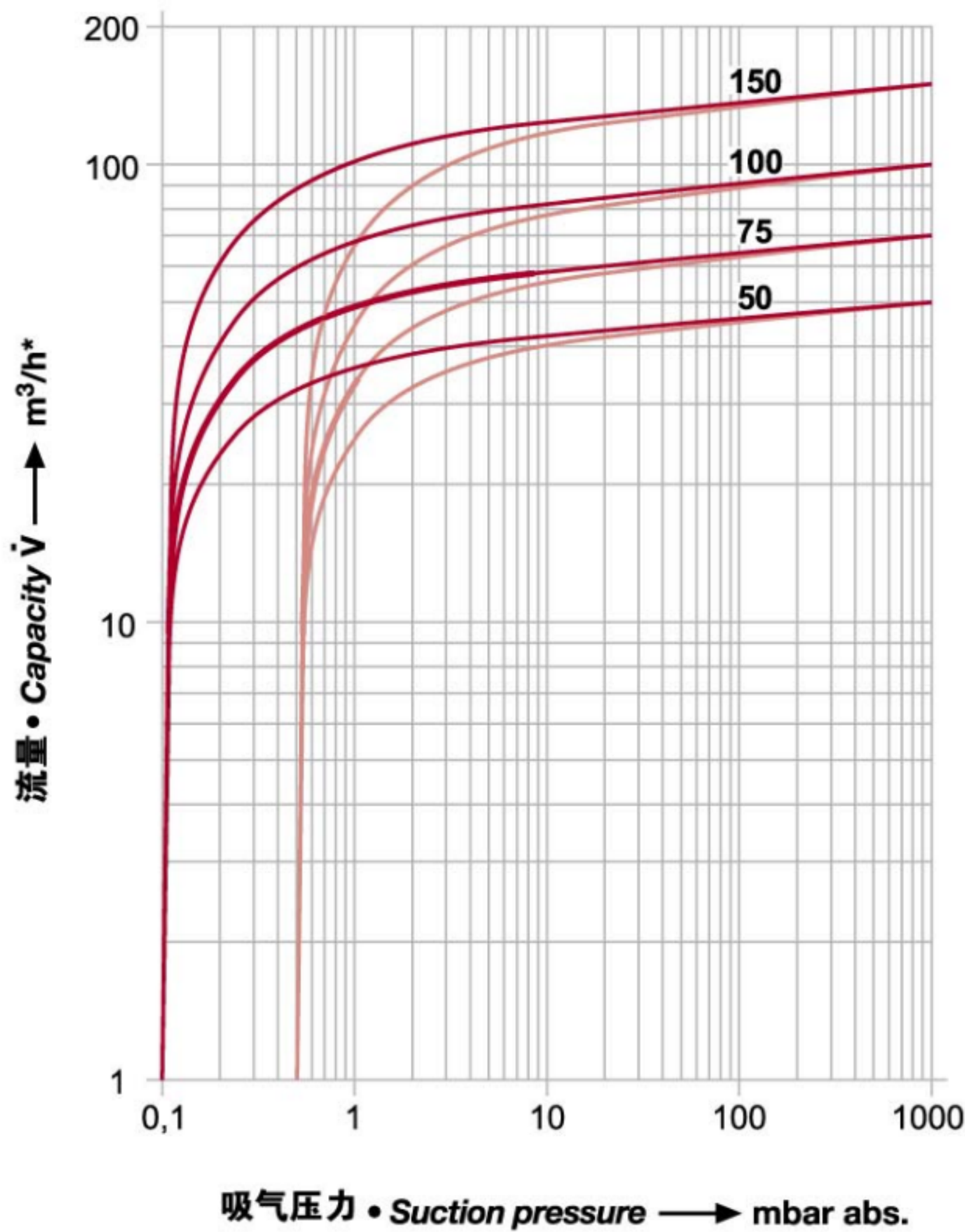
法兰式电机符合 DIN EN 60034 标准，保护标准 IP 54，绝缘等级 F。

Oil flooded rotary vane vacuum pump with capacities ranging from 50 to 180 m³/hr and an ultimate vacuum of 0.1 mbar (abs.).

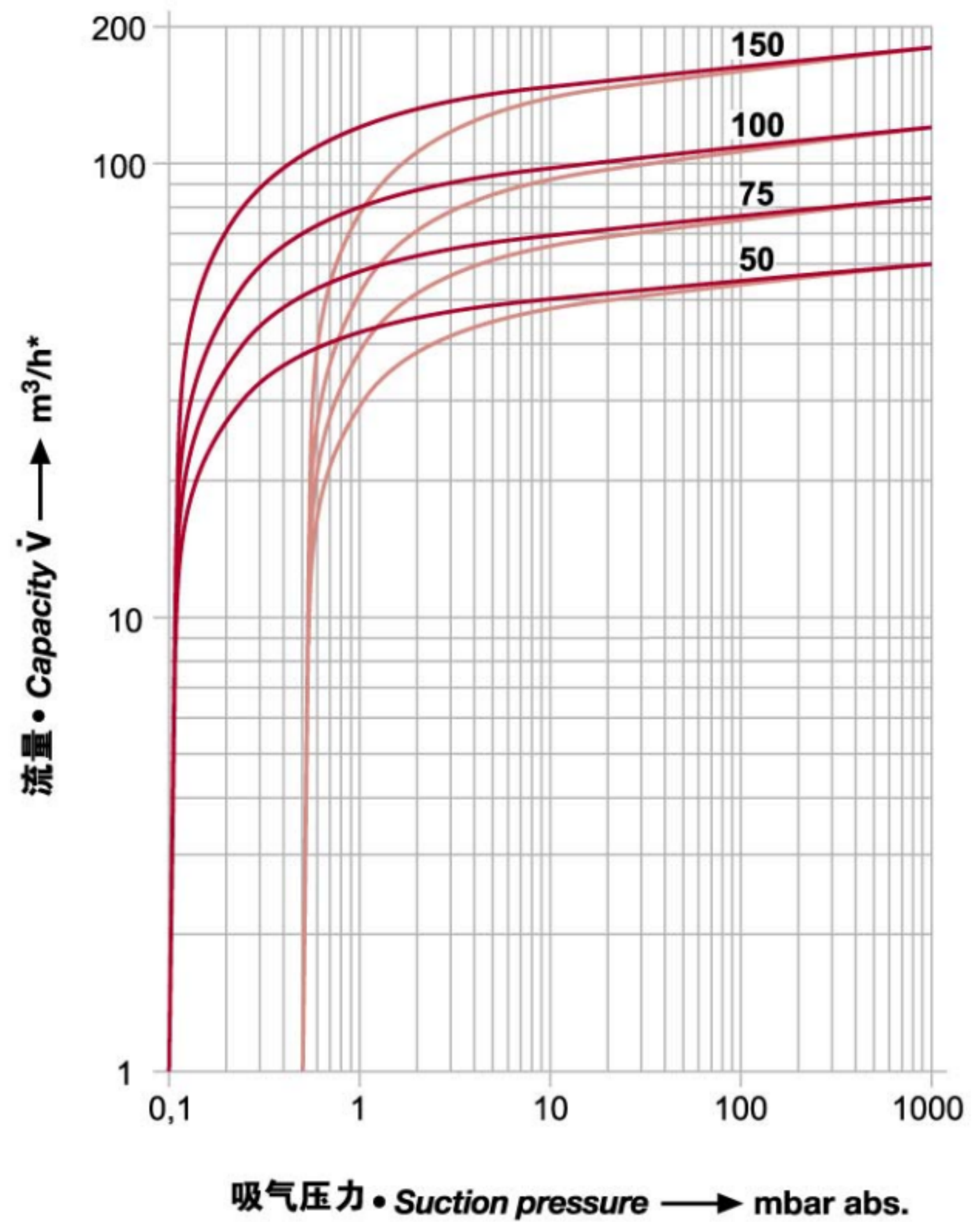
Flange motor, bearings on both sides of the rotor, oil/air heat exchanger. Fitted as standard with fine mesh filter, vacuum non-return valve, gas ballast valve, protection cover and oil separator.

Flange mounted motors comply with DIN EN 60034, have IP 54 protection and insulation class F.

50 Hz 选型图 • Selection diagram



60 Hz 选型图 • Selection diagram



— 无气镇阀 • without gas ballast
 — 带气镇阀 • with gas ballast

VC		50	75	100	150
额定流量 Nominal capacity	m ³ /h	50 60	70 84	100 120	150 180
极限真空 Ultimate partial pressure	mbar (abs.)	0,1			
电机类型 Motor version	3~	50 Hz	200-255 / 346-440V ± 5 %		230/400V±10%
		60 Hz	200-277 / 346-480V ± 5 %		380/660V
电机功率 Motor rating	kW	50 Hz	1,25	1,85	3,0
		60 Hz	1,5	2,2	3,6
电流 Current drawn	A	50 Hz	6,9 / 4,0	8,7 / 5,0	11,4 / 6,6
		60 Hz	7,6 / 4,4	9,4 / 5,4	13,7 / 7,9
转速 Speed	min ⁻¹	50 Hz	1450		
		60 Hz	1740		
平均噪音 Average noise level	dB(A) → DIN45635	50 Hz	64	64	66
		60 Hz	67	68	69
最大重量 Maximum weight	kg	50 Hz	57	59	88
		60 Hz	57	59	90
油量 Oil capacity	l		3,0	3,0	3,0
					3,5